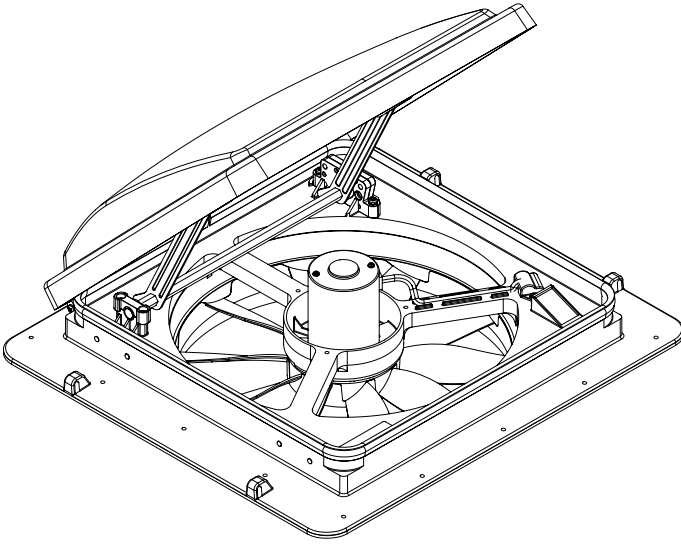


# MAXXFAN®

## REPAIR PARTS LIST FOR ALL MAXXFAN® and MAXXFAN® Plus KEY PAD MODELS 4000K *through* 4951K



## WARRANTY INFORMATION

Please have the **SERIAL NUMBER** of your MAXXFAN available when calling for parts and service. To locate your serial number, please refer to the figures on pages 3 and 4 for serial number locations.

For technical assistance, repair parts or warranty claim assistance concerning your MAXXFAN or MAXXFAN Plus, please contact us at 316.832.3400

For full WARRANTY terms and conditions, please visit [www.AIRXCEL.com](http://www.AIRXCEL.com).

**WARNING!** To reduce risk of fire, injury to persons or damage to property, use only in the manner intended by AIRXCEL, INC. Should you have questions, please contact AIRXCEL/MAXXAIR VENTILATION SOLUTIONS Customer Service at 316.832.3400.



AIRXCEL, INC. - RV Products Division / MAXXAIR

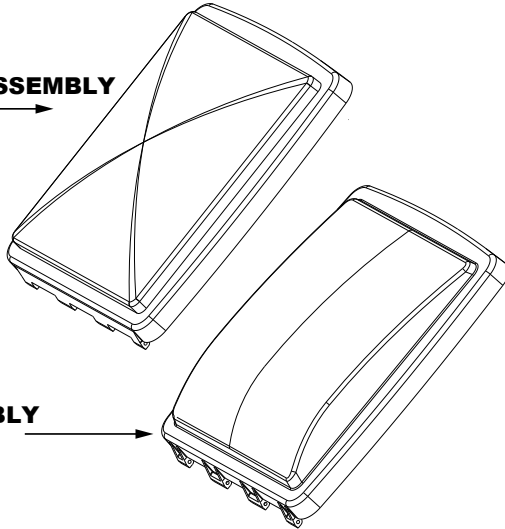
3050 N. St. Francis St. • Wichita, KS 67219 • 316-832-3400 • [www.Airxcel.com](http://www.Airxcel.com)

# REPAIR PARTS LIST

## FOR ALL MAXXFAN® and MAXXFAN® Plus KEY PAD MODELS 4000K through 4951K

### MAXXFAN PLUS LID ASSEMBLY

White: 10A40002K  
Smoke: 10A40009K

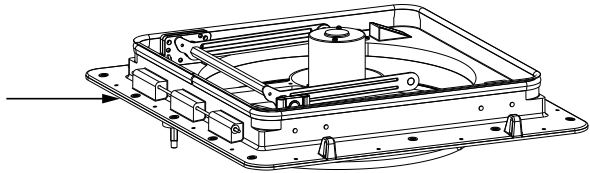


### MAXXFAN LID ASSEMBLY

White: 12-00056Z  
Smoke: 12-00057Z

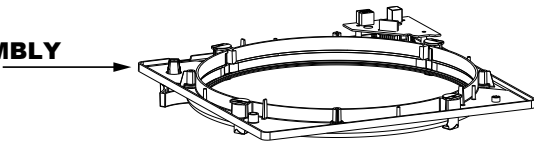
### BASE ASSEMBLY

See Page 4 for detailed  
parts breakdown



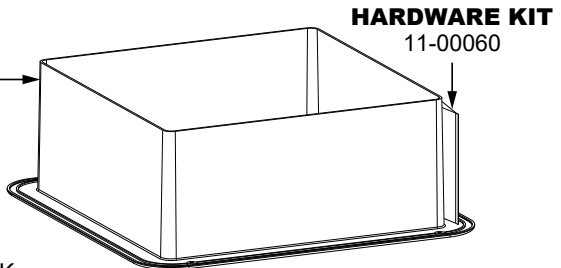
### CONTROL PLATE ASSEMBLY

See Page 3 for detailed  
parts breakdown



### GARNISH RING INTERIOR

Black: 10-20209  
Beige: 10-20211-B-5.3  
White: 10-20211-5.3



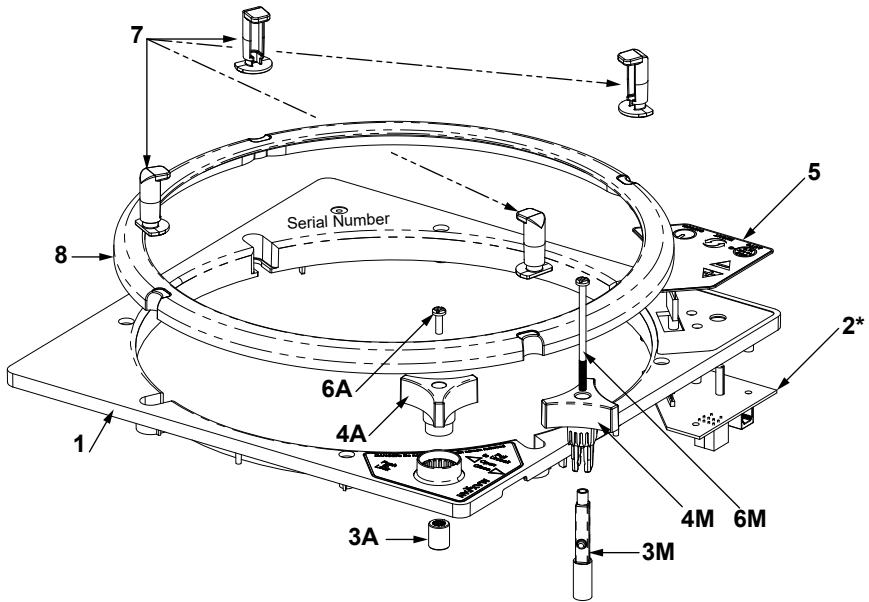
**HARDWARE KIT**  
11-00060



### HANDHELD REMOTE

Exhaust Only: 00A01151K  
Intake/Exhaust: 00A01150K

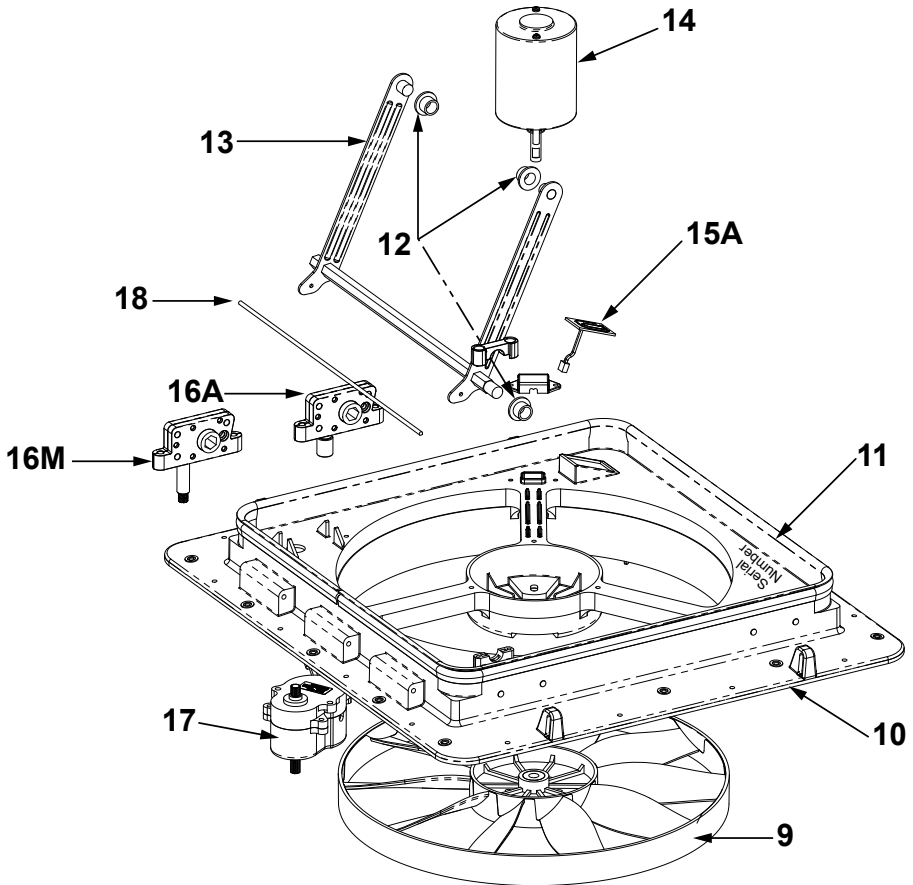
# CONTROL PLATE ASSEMBLY



CODE	USED ON MODELS	PART NUMBER	DESCRIPTION	NUMBER REQUIRED
<b>1</b>	All	05-20226K	Control Plate	1
<b>2M*</b>	4000K, 4050K	10-21276K	Printed Circuit Board	1
	4001K	10-21276KE	Printed Circuit Board	1
<b>2A*</b>	4500K, 4700K, 4800K, 4900K	10-21275K	Printed Circuit Board	1
	4501K, 4541K, 4801K	10-21275KE	Printed Circuit Board	1
	4751KS, 4761KS, 4951KS	10-04751KS	Printed Circuit Board	1
	74751KS, 74951KS	10-74751KS	Printed Circuit Board	1
<b>2*</b>	4201KW, 4251KW, 4301K, 4401KW	10-04301K	Printed Circuit Board	1
<b>3M</b>	4000K – 4001K	10-21232K	Locking Knob Shaft	1
<b>3A</b>	4500K – 4900K	10-20277	Lift Motor Coupler	1
<b>4M</b>	4000K – 4001K	05-21236K	Locking Knob	1
<b>4A</b>	4500K – 4900K	10-20223	Knob, 3 Wing	1
<b>5</b>	4000K, 4050K	10-21299K	Keypad	1
	4001K, 4051K	10-21300K	Keypad	1
	4301K, 4401K	10-43010K	Keypad	1
	4201KW, 4251KW, 4500K, 4800K	10-40005K	Keypad	1
	4501K, 4541K, 4801K	10-40006K	Keypad	1
	4761KS	10-21306K	Keypad	1
	4751KS, 4951KS, 74751KS, 74951KS	10-40209	Keypad, Blank Label	1
	4700K, 4900K	11-00001K	Keypad, Blank Label w/IR	1
<b>6M</b>	4000K – 4001K	10-21241K	Locking Knob Screw	1
<b>6A</b>	4500K – 4900K	10-20265K	Knob Screw, 3 Wing	1
<b>7</b>	All	05-21233	Finger, Screen	4
<b>8</b>	All	05-30925	Round Interior Screen	1

NOTE: M = Manual Opening Models | A = Automatic (Remote) Opening Models

# BASE ASSEMBLY DETAIL



CODE	USED ON MODELS	PART NUMBER	DESCRIPTION	NUMBER REQUIRED
9	All	10-20258KS	Fan Blade	1
10	All	10A40012K	Base**	1
11	All	10-20233K	Rubber Seal	1
12	All	10-20287	Bushing	3
13	All	10-20222KS	Lifter Arm (Hexagon)	1
14	All	10-20968	Fan Motor*	1
15A	4500K – 4900K	10-40007K	Rain Sensor	1
16M	4000K – 4001K	10-20281K-3CF	Operator Mechanism, Manual Lift	1
16A	4500K – 4900K	10-20281K-1AF	Operator Mechanism, Automatic Lift	1
17	4500K – 4900K	10-20270	Lift Motor	1
18	All	10-40003K	Lid Hinge Pin	1

NOTE: M = Manual Opening Models | A = Automatic (Remote) Opening Models

\*K Model Fans manufactured before FEB 2012 will use 10-20966 Motor.

All units manufactured after FEB 2012 will use 10-20968 Motor.

\*\*Need to replace entire product.